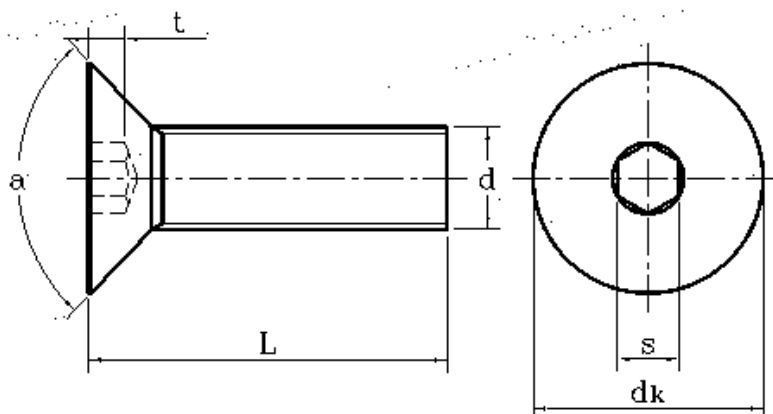


DIN 7991



Unit: mm

d	M3	M4	M5	M6	M8	M10	M12	M14	M16	M18	M20	M22	M24
P	0.5	0.7	0.8	1	1.25	1.5	1.75	2	2	2.5	2.5	2.5	3
dk	max	6	8	10	12	16	20	24	27	30	33	36	39
	min	5.7	7.64	9.64	11.57	15.57	19.48	23.48	26.48	29.48	32.38	35.38	38.38
S	nom	2	2.5	3	4	5	6	8	10	10	12	12	14
	max	2.1	2.6	3.1	4.12	5.14	6.14	6.175	10.175	10.175	12.212	12.212	14.212
	min	2.02	2.52	3.02	4.02	5.02	6.02	8.025	10.025	10.025	12.032	12.032	14.032
t	max	1.2	1.8	2.3	2.5	3.5	4.4	4.6	4.8	5.3	5.5	5.9	8.8
	min	0.95	1.55	2.05	2.25	3.2	4.1	4.3	4.5	5	5.2	5.6	8.44
a	max	92°										62°	
	min	90°										60°	
d	M3	M4	M5	M6	M8	M10	M12	M14	M16	M18	M20	M22	M24
L	Weight (7.85kg/dm ³) kg/1000 pieces												
8	0.47	0.92	1.5	2.35									
10	0.56	1.07	1.85	2.7	5.47								
12	0.65	1.23	2.1	3.05	6.1	10.1							
16	0.83	1.53	2.59	3.76	7.35	12.1							
20	1	1.84	3.09	4.46	8.6	14.1	21.2						
25	1.35	2.23	3.71	5.34	10.2	16.6	24.8						
30	1.63	2.9	4.33	6.22	11.7	19.1	28.5		51.8				
35		3.4	5.43	7.1	13.3	21.6	32.1		58.4		91.4		
40		3.9	6.2	8.83	14.8	24.1	35.7		65.1		102		
50			7.74	11	19.9	30.1	43		78.4		123		179
60					24.8	35.7	54		91.7		143		209
70						41.2	62.9		111		164		239
80									143		200		269
90											226		299
100											253		340

● DIN 7991 Technical delivery conditions

General requirements		As specified in DIN 267 Part1.
Thread	Tolerance class	6g
	Standard	DIN13 Part12 and Part15
Mechanical Properties	Property class(material)	8.8 Other property classes or materials subject to agreement.
	Standard	ISO 898 Part 1 ¹⁾
Permissible dimensional deviations and deviations of form	Product grade	A
	Standard	ISO 4759 Part1
Surface finish		(Thermally or chemically) blackened.
		DIN267 Part 2 shall apply with regard to the surface roughness. DIN267 Part 19 shall apply with regard to the permissible surface discontinuities. DIN 267 Part 9 shall apply with regard to electroplating. If a different kind of electroplating or a different kind of surface protection is desired,this shall be agreed upon at the time of ordering.
Acceptance inspection		DIN267 Part 5 shall apply with regard to acceptance inspection.
¹⁾ The acceptance inspection shall include hardness testing of property class 8.8 screws,with hardness values of HV250 to 320 for sizes up to and including M16,and HV255 to 335 for sizes greater than M16(see Explanatory notes).		