



**10642—
2012**

**ISO 10642:2004
Hexagon socket countersunk head screws
(IDT)**



2014

1 « -
 - »
 () -
 . 4
 2 229 « »
 3 -
 23 2012 . 1133-
 4
 10642:2004 « » (ISO
 10642:2004 «Hexagon socket countersunk head screws»).

5

1.0—2012 (8).
 ()
 1) « », -
 — « -
 ». () -
 « ». -
 — ,
 (gost.ru)

1	1
2	1
3	2
3.1	2
3.2	3
4	6
5	7
	()	
		(
).....	8

Hexagon socket countersunk head screws

— 2014—01—01

1

8.8.10.9	12.9.	3	20					
				2	3			-
888,	898-1,	965-2	4759-1.					261,

2

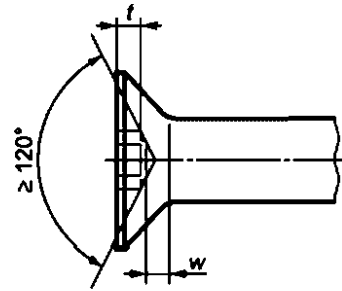
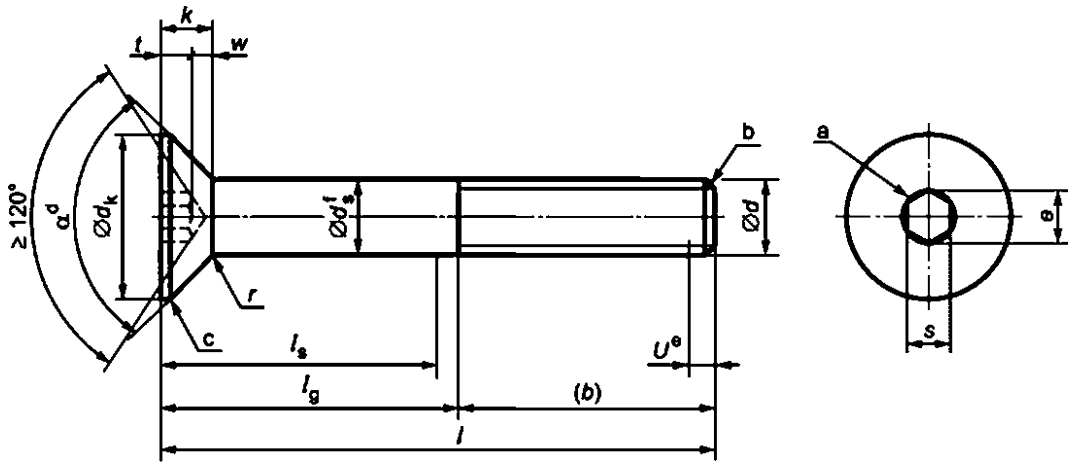
—		()					
225								
(ISO 225, Fasteners — Bolts, screws, studs and nuts — Symbols and designations of dimensions)								
261								(ISO 261, ISO general-purpose metric screw threads — General plan)
888								
(ISO 888, Bolts, screws and studs — Nominal lengths, and thread lengths for general purpose bolts)								
898-1								
1.								(ISO 898-1, Mechanical properties of fasteners made of carbon steel and alloy steel — Part 1: Bolts, screws and studs)
965-2								
								2.
								(ISO 965-2, ISO general purpose metric screw threads — Tolerances — Part 2: Limits of sizes for general purpose external and internal screw threads — Medium quality)
965-3								
								3.
								(ISO 965-3, ISO general purpose metric screw threads — Tolerances — Part 3: Deviations for constructional screw threads)
3269								(ISO 3269, Fasteners—Acceptance inspection)
4042								(ISO 4042, Fasteners — Electroplated coatings)
4753								
(ISO 4753, Fasteners — Ends of parts with external ISO metric thread)								
4759-1								1.
								(ISO 4759-1, Tolerances for fasteners — Part 1: Bolts, screws, studs and nuts — Product grades A. and C)

- 6157-1 (ISO 6157-1, Fasteners — Surface discontinuities — Part 1: Bolts, screws and studs for general requirements)
- 6157-3 (ISO 6157-3, Fasteners — Surface discontinuities — Part 3: Bolts, screws and studs for special requirements)
- 8992 (ISO 8992, Fasteners — General requirements for bolts, screws, studs and nuts)
- 10683 (ISO 10683, Fasteners — Non-electrolytically applied zinc flake coatings)
- 23429 (ISO 23429, Gauging of hexagon sockets)

3

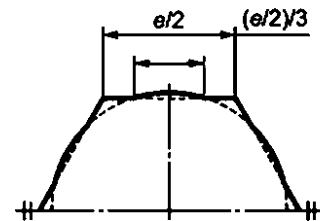
3.1

1 1.
225.



1/3

1/2.



4

4753.

s 90 —92 .

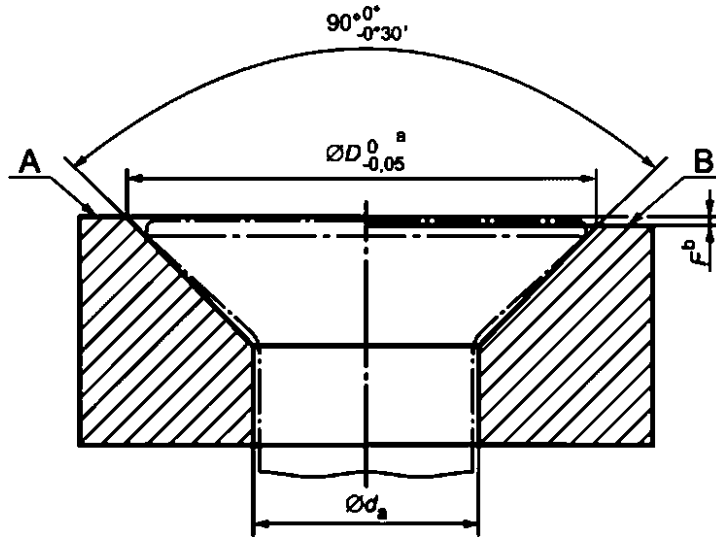
s 2 .

l (.

1—

3.2

2.



® D =
DF—

(. 1).

(. 1).

2—

0			3		4		5						10		12		(14		18		20	
			<i>l / l_g</i>																			
				*g		fg		*g		.			**	fg	**	*g		*g		*g		^g
			-	-	-	-	-	-	-	-	-	-	-	-	-	-	-	-	-	-	-	-
45	44.5	45.5					19	23	16	21												
50	49.5	50.5					24	26	21	26	1575	22										
55	54.4	55.6							26	31	2075	27	15.5	23								
60	59.4	60.6							31	36	2575	32	20.5	28								
65	64.4	65.6									3075	37	25.5	33	20.25	29						
70	69.4	70.6									3575	42	30.5	36	25.25	34	20	30				
	79.4	80,6									4575	52	40.5	48	35,25	44	30	40	26	36		
90	89.3	90.7											50.5	58	45.25	54	40	50	60	46 1		
	99.3	1007											60.5	68	55.25	64	50	60	46	56	35.5	48

*

d

F

f

23429.

2

F

^₀₁

Jg,
/s J

4

2.

2—

		8992		
		6 5g6g	8.8 10.9; 12.9	
		261,	965-2,	965-3
	8	8.8, 10.9, 12.9		
		898-1		
		4759-1		
				4042.
		10683		
			6157-1	6157-3
			12.9	
				3269
		8.8, 10.9 12.9		898-1.
		8.8, 10.9 12.9,	898-1.	
			()
			898-1,	
			3.	
			—	

3—

(80% , 898-1)

d			
	8.8	10.9	12.9
3	3 220	4 180	4 190
4	5 620	7 300	8 560
5	9 080	11 800	13 800
8	12 900	16 700	19 600
10	23 400	30 500	35 700
	37 100	48 200	56 600
12	53 900	70 200	82 400
14	73 600	96 000	112 000
16	100 000	130 000	154 000
20	162 000	204 000	239 000

5

$l = 40$,

12.9

:

12

10642 — 12 *40— 12.9

()

()

1

225	—	•
261	MOD	8724—2002 (261—98) « - »
888	—	
898-1	IDT	898-1—2011 « 1. , »
965-2	—	•
965-3	MOD	16093—2004 (965-1:1998, 965-3:1998) « - »
3269	IDT	3269—2009 « - »
4042	IDT	4042—2009 « - »
4753	MOD	12414—94 « , . »
4759-1	IDT	4759-1—2009 « ! , , . »
6157-1	IDT	6157-1—2009 « - 1. , »
6157-3	—	•
8992	IDT	8992-2011 « . , , , »
10683	—	•
23429	—	•
* . - - MOD — : - IDT — .		

621.882

21.060.10

32

16 5000

:

, ,

18.02.2014

18.03.2014.

60>84¹/₈

. . . 1.86. -

. . . 1.05.

73

. . . 448

« . 123995
wvAv.gostinfo.ru info@gostinfo.ru

.. 4.