

Tongued lock washers.  
Specifications

11872—89"

16 8000

01.07.90

,  
11871.

1.

1.1.

: —

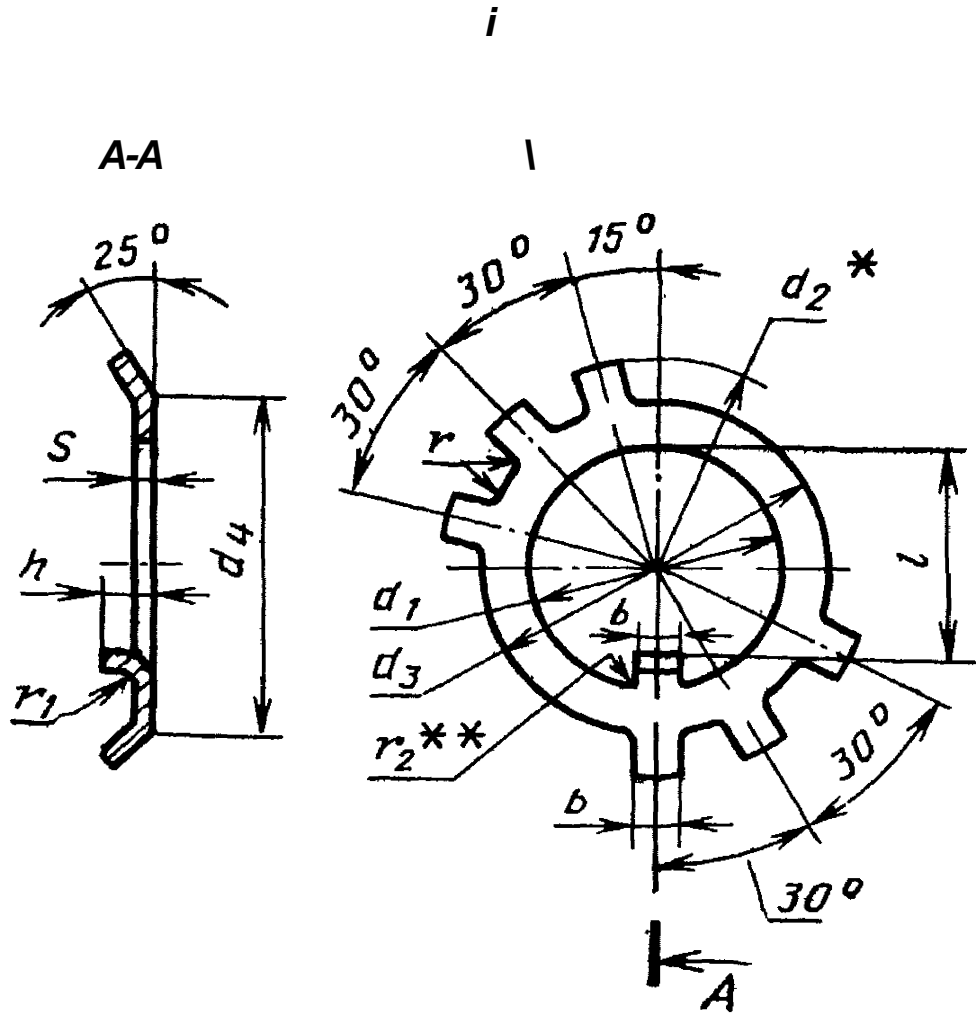
1.2.

, —

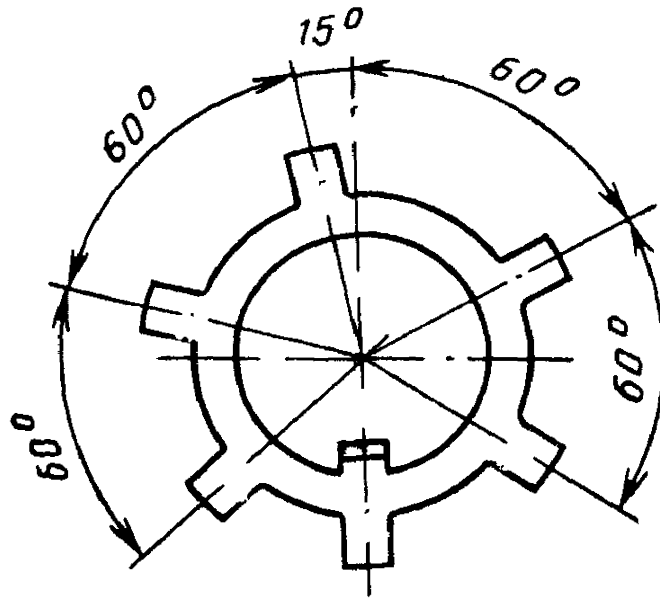
.

-  
-  
-  
-

Вариант



Исполнение 2



\*  $d\%$   
\*\*



3 Srf 42 <sup>s</sup>	1<< s£ 43							*4 ; < w>>	h		(u) > *0
		d <sub>2</sub>	d <sub>z</sub>	fl?2	h 14	h 14	< ) v X		< ; X>		
			h 14								
68	69,0	102	80,0	9,5	102	85,0	9,5	65,0	5,5	10,0	0,8 1,6
(70)	71,0	104	82,0		104	87,0		67,0			
72	73,0	107	85,0		107	90,0		69,0			
76	77,0	112	87,0		112	95,0		73,0			
80	81,0	117	90,0		117	100,0		76,0			
85	86,0	122	98,0		122	105,0		81,0			
90	91,0	127	102,0	11,5	127	110,0	11,5	86,0	6,5	13,0	1,0 2,0
95	96,0	132	108,0		132	115,0		91,0			
100	101,0	137	115,0		137	120,0		96,0			
105	106,0	142	120,0		142	125,0		101,0			
110	111,0	152	125,0	13,5	152	130,0	13,5	106,0	7,5	14,0	1,6 2,5
115	116,0	157	132,0		157	135,0		111,0			
120	121,0	162	137,0		162	140,0		116,0			
125	126,0	167	142,0		167	145,0		121,0			
130	131,0	172	147,0		172	150,0		126,0			
135	136,0	177	152,0		177	155,0		131,0			
140	141,0	182	157,0	15,5	182	160,0	15,5	136,0	7,5	14,0	1,6 2,5
(145)	146,0	192	162,0		192	165,0		141,0			
150	151,0	202	167,0		202	175,0		146,0			
160	161,0	212	177,0		212	185,0		155,0			
170	171,0	222	189,0		222	195,0		165,0			
180	181,0	232	202,0		232	205,0		175,0			
190	191,0	242	213,0	252	242	215,0	185,0	7,5	14,0	1,6 2,5	
200	201,0	252	223,0		252	225,0	195,0				

1.  
2.

01.01.90,

1  
 64 ,  
 08 ,  
 :  
 64.01.08 . 05 11872—89  
 :  
 64.01.08 . 05 11872—89  
 15  
 9 , 2:  
 2H.64.0S.019 11872—89

1.3.

2.

2.1.  
18123

2.2.

ATI7  
± ~— 8908.

2.3.

2.4.  
25°

2.5.

— 18160.

3.

— 17769.

4.

4.1.

4.2.

4.3.

— d 18123.

25°

18123.

	1000 . ,			1000 . ,	
_4		0,353	60	20,725	24,790
_5		0,433	62	22,785	25,438
_6	0,726	0,573	64	25,071	27,460
JJ	1,522	1,560	68	25,237	31,740
10	1,672	1,850	70	25,590	33,254
12	1,941	2,070	72	27,690	34,770
<b>11</b>	1,970	2,200	76	29,380	37,970
<b>11</b>	2,602	2,612	80	30,790	41,470
18_	2,716	2,786	85	31,602	43,350
20	2,951	3,247	90	41,512	58,520
22	3,551	3,770	95	44,175	60,860
24	3,937	4,770	100	45,575	63,200
27	4,527	4,822	105	52,897	65,540
30	4,805	5,136	110	60,219	73,060
33	8,887	9,598	115	67,131	75,400
36	9,042	10,320	120	70,375	78,700
39	11,020	11,040	125	71,075	80,080
42	12,284	12,780	130	73,441	82,430
45	14,359	14,650	135	75,019	84,760
48	17,306	18,170	140	76,991	87,100
50	18,150	18,820	145	82,142	89,440
52	18,458	20,450	150	113,822	144,700
56	18,512	22,290	160	119,056	152,400
58	18,912	22,904	170	133,745	159,800

.2

	1000 ,			1000 . ,	
180	155,087	167,200	200	173,970	182,000
190	167,192	174,600			

\* 2, .

1,080. ,

1.

. . , . . , . . , . . ,

2.

424

09.03.89

3.

— 1994 .;

— 5 .

4.

11872—80

5.

-

-

--	--

8908—81  
11871—88  
17769—83  
18123—82  
18160—72

2.2  
,  
3  
2.1, 4.1, 4,3  
2.5

6.

1993 .

. 15.01.93 . 02.03.93 . . 2,10 2,10 . 1,75  
1773 .

« » , 107076, , 250. . 153 ., 14